



OLD AF....



REPLACEMENT BF...RE

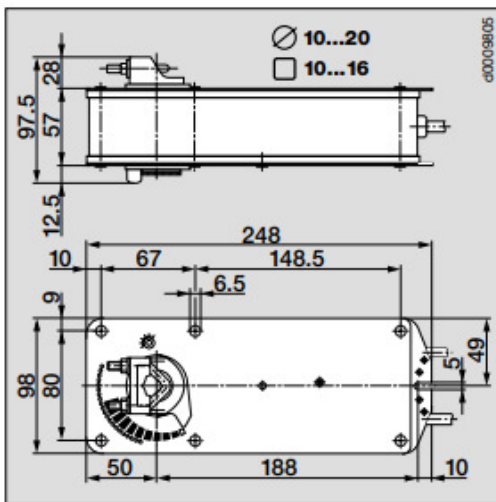
The AF..15Nm range of spring return actuators has been discontinued. Where the AF.. was used for Fire/smoke applications (with a round shaft) the BF...RE can be used in retrofit situations to replace the old original AF actuators.

BELIMO'S Fire / Smoke and life safety actuator policy, is to use square drive actuators wherever possible. The square drive gives a positive connection to the Fire /Smoke damper and prevents any possibility of shaft slippage.

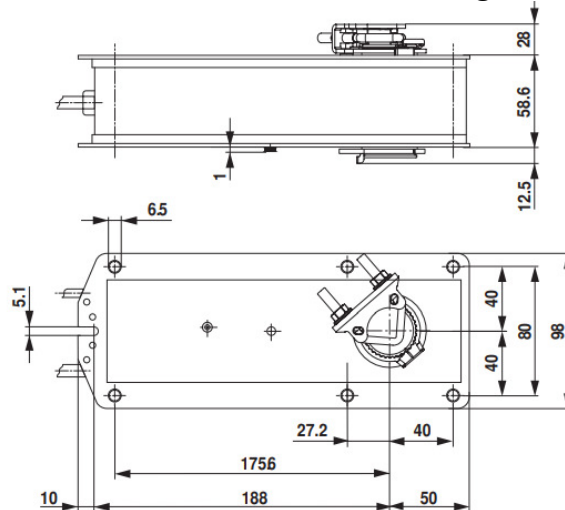
OLD	OPERATION	REPLACEMENT
AF24-S	24V Drive open spring closed with auxiliary switches	BF24-RE
AF230-S	230V Drive open spring closed with auxiliary switches	BF230-RE

The BF...RE range fits, wires and functions in exactly the same manner as the old AF. A major advantage is the actuator case and mounting fixings are identical on the BF...RE and the AF ranges, this means all the old fixing holes can be reused saving valuable site time.

AF...size & fixings



BF...RE size & fixings



Full data sheets for all the above are available. If you require further technical help with any of the above please contact MHServices for further information.