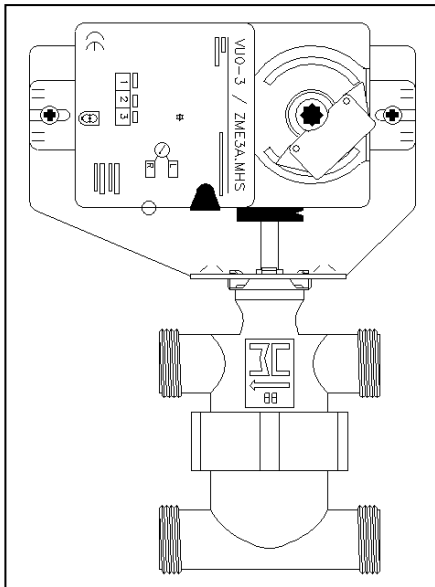


Pulse open/close actuator for use with VU0 range of 2, 3 or 4 port unit valves and a direct replacement for Belimo KM24-3/ZME3A valve actuators



Actuator application

The VU04 valve is modulated by the VU0-3/ZME3A valve actuator with a pulse open/close 24V AC/DC 2-wire control signal from either a stand-alone electronic temperature controller or suitable BMS signal.

The VU0-3/ZME3A actuator is mounted directly onto the valve body with a simple bayonet connection and comes with a 1m numbered connection lead for easy connection.

Valve application

The VU04 four-port, three way diverting valves are designed for use on VAV LPHW re-heat coils or fan coil units and provide quick and easy installation with the built in bypass.

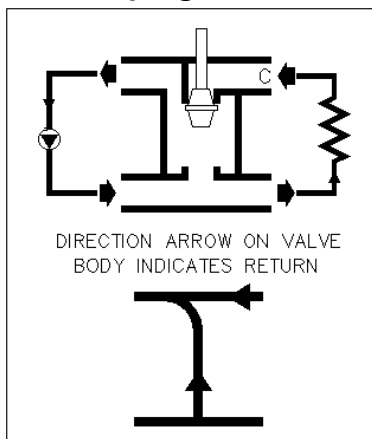
Valve types

- VU04-B06 Four port valve kvs 0.6 (valve stamped 28)
 - VU04-B10 Four port valve kvs 1.0 (valve stamped 36)
 - VU04-B16 Four port valve kvs 1.6 (valve stamped 47)
 - VU04-B25 Four port valve kvs 2.5 (valve stamped 55)
- Other 2 and 3 port configuration of valves are available on request.

VU0-3/ZME3A actuator technical data	
Nominal voltage	AC 24V 50/60Hz DC 24V
Power consumption	3W (for wire sizing 3VA)
Connection cable	1m long 4 x 0.75 mm ²
Torque	Min. 4Nm (at rated voltage)
Protection class	III (safety low voltage)
Degree of protection	IP54

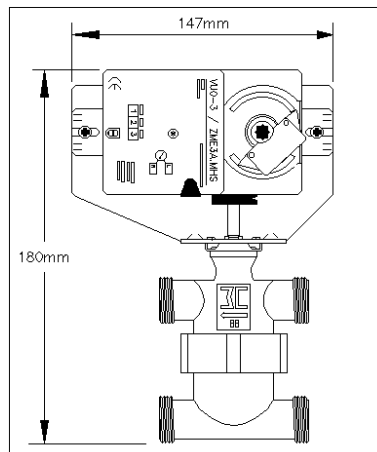
VU04 valve technical data	
Valve body	Forged brass
Nominal pressure	PN16
Close off pressure	2 kg/cm
Water connections	1/2" parallel male (compression fittings available).
Water temperature	+2 – 90°C
0 volt position	Valve closed/bypass open
Valve mounting	Vertical or horizontal (must not be inverted)

Piping details



Note:- The direction arrow on the VU04 valve body indicates return direction.

Valve & actuator size



Wiring Diagram

