

## Application

The **TC24** termination centre is a purpose built PCB designed specifically to be used in conjunction with any of the Belimo VAV control range. The **TC24** provides all the necessary inter-connections between the various components and helps eliminate possible wiring problems. The termination centres have clearly marked, large screw terminals to make connection of all external components, power supply and any override signals quick and easy. The power and override terminals are also provided with a "loop in/out" facility for use with ring main wiring where applicable. Each **TC24** is fitted with a 2A anti-surge fuse in the 24V supply to protect all external components wired to the board.

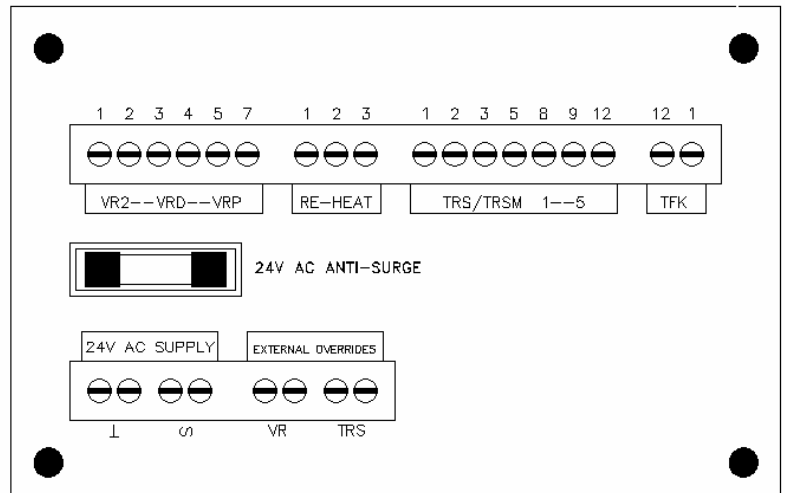
The **TC24** provides the OEM or site contractor with a clear and easy connection centre, making site installation and commissioning quicker by eliminating possible wiring faults.

## Wiring Details

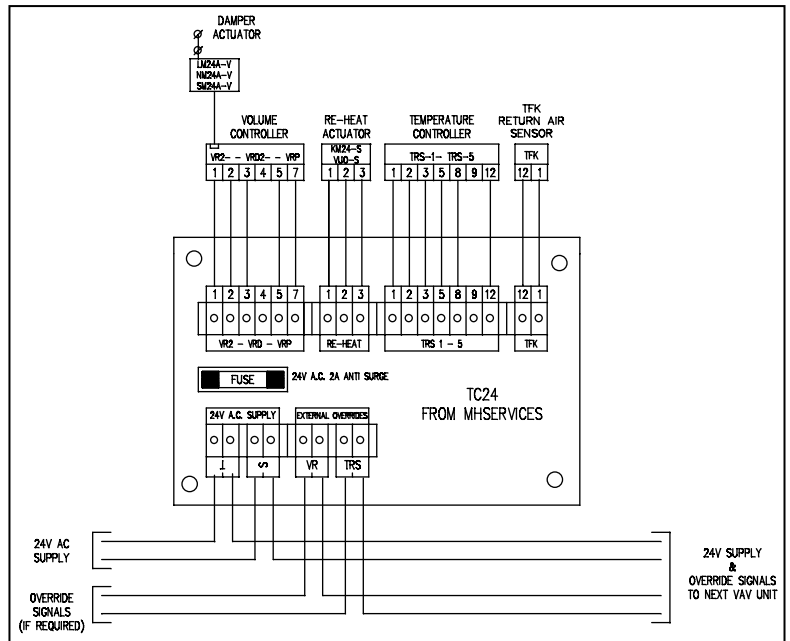
Detailed wiring sheets for most VAV applications are available upon request.

## Mounting

For VAV box manufacturers with integral controls cubicles, the **TC24** will clip into a suitable length of Curtis TR3 track. If no controls section is available the **TC24** can be provided mounted in a 152x128x38mm galvanised box complete with four cable gland entries for external mounting on the side of the VAV box.



## Typical wiring diagram



## Mounting box dimensions

