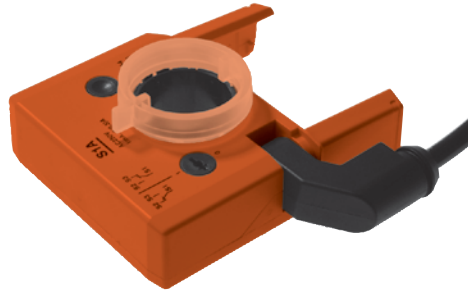


Auxiliary switches,
suitable for all damper actuators
LM..A.., NM..A.., SM..A.. and GM..A..

- 1 or 2 switches
(SPDT, single-pole double-throw)
- Adjustable switching point


Overview of types

	Type	No. of switches	Cable	Type	No. of switches	Cable
Housing color: orange	S1A	1 x SPDT	1 m, 3 x 0.75 mm ²	S2A	2 x SPDT	1 m, 6 x 0.75 mm ²
	S1A/300	1 x SPDT	3 m, 3 x 0.75 mm ²	S2A/300	2 x SPDT	3 m, 6 x 0.75 mm ²
	S1A/500	1 x SPDT	5 m, 3 x 0.75 mm ²	S2A/500	2 x SPDT	5 m, 6 x 0.75 mm ²
Housing color: gray	S1A GR	1 x SPDT	1 m, 3 x 0.75 mm ²	S2A GR	2 x SPDT	1 m, 6 x 0.75 mm ²
	S1A/300 GR	1 x SPDT	3 m, 3 x 0.75 mm ²	S2A/300 GR	2 x SPDT	3 m, 6 x 0.75 mm ²
	S1A/500 GR	1 x SPDT	5 m, 3 x 0.75 mm ²	S2A/500 GR	2 x SPDT	5 m, 6 x 0.75 mm ²

Technical data

Functional data	No. of switches	See «Overview of types»
	Switching capacity	1 mA ... 3 (0.5) A, AC 250 V <input type="checkbox"/>
	Switching point	Adjustable over the full range of rotation of the damper actuator (0 ... 1). Can be preset by means of the scale.
Safety	Connection	See «Overview of types»
	Protection class	II Totally insulated <input type="checkbox"/>
	Degree of protection	IP54
	LV Directive	CE according to 73/23/EEC
	Mode of operation	Type 1.B (to EN 60730-1)
	Ambient temperature range	-30 ... +50 °C
	Non-operating temperature	-40 ... +80 °C
	Ambient humidity range	95% r.H., non-condensating (EN 60730-1)
	Maintenance	Maintenance-free
	Dimensions / Weight	Dimensions (L x W x H)
Weight		S1A: Approx. 130 g S2A: Approx. 170 g

Safety notes


- The auxiliary switches are not allowed to be used outside the specified field of application, especially in aircraft or in any other airborne means of transport.
- Assembly must be carried out by trained personnel. Any legal regulations or regulations issued by authorities must be observed during assembly.
- The device may only be opened at the manufacturer's site. It does not contain any parts that can be replaced or repaired by the user.
- The cable must not be removed from the device.
- The device contains electrical and electronic components and is not allowed to be disposed of as household refuse. All locally valid regulations and requirements must be observed.

Product features

Application S1A.. and S2A.. auxiliary switches are used to signal positions or to execute switching functions in any angular position.

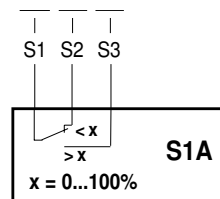
Mode of operation A form-fit engagement is created between a driver disc and the clamp, causing the position to be directly transferred to the trip cams of the microswitches. The switching points can be freely selected within the specified range of rotation by means of a dial. The current switch position can be read at any time.

Mounting The auxiliary switches are attached directly to the clamp of the damper actuator. The guiding grooves between the housing and the switch ensure a tightly sealing fit.

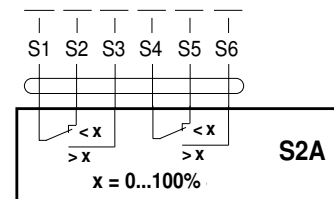
Electrical installation

Wiring diagrams

S1A..

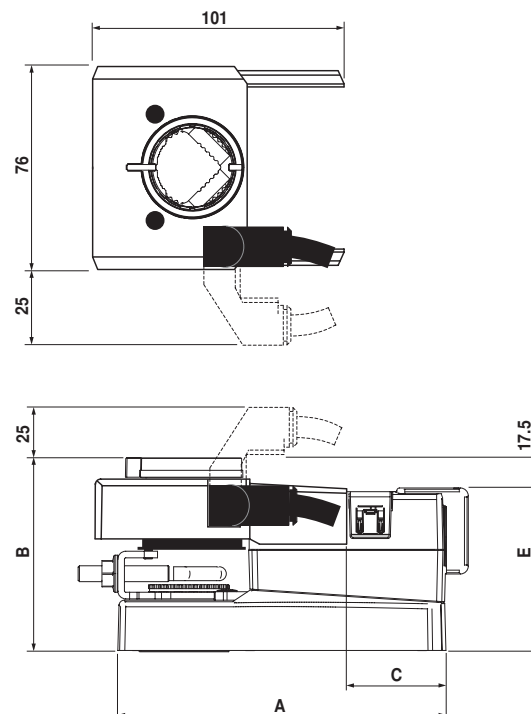


S2A..



Dimensions [mm]

Dimensional diagrams



with actuator	A	B	C	E
LM..A..	116	76.5	36	59
NM..A..	124	77.5	41	60
SM..A..	139	79.5	51	62
GM..A..	179	85.5	62.5	68