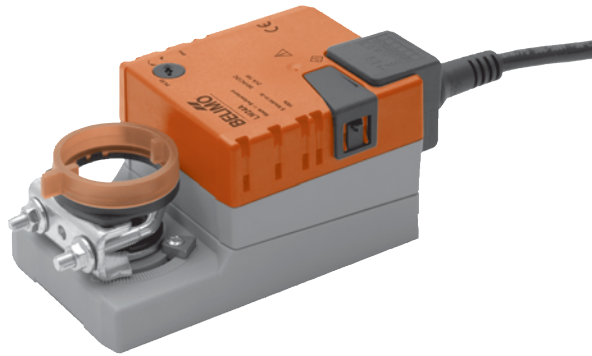


Damper actuator for operating air control dampers in ventilation and air-conditioning systems for building services installations

- For air control dampers up to approx. 1 m<sup>2</sup>
- Torque 5 Nm
- Nominal voltage AC/DC 24 V
- Control: modulating DC 0 ... 10 V, position feedback DC 2 ... 10 V



### Technische Daten

<b>Electrical data</b>	Nominal voltage	AC 24 V, 50/60 Hz DC 24 V
	Nominal voltage range	AC/DC 19.2 ... 28.8 V
	Power consumption	In operation 1 W @ nominal torque At rest 0.4 W For wire sizing 2 VA
	Connection	Cable 1 m, 4 x 0.75 mm <sup>2</sup>
<b>Functional data</b>	Torque (nominal torque)	Min. 5 Nm @ nominal voltage
	Control	DC 0 ... 10 V, typical input impedance 100 kΩ
	Working range	DC 2 ... 10 V
	Position feedback (Measuring voltage)	DC 2 ... 10 V, max. 1 mA
	Position accuracy	±5%
	Direction of rotation	Reversible with switch 0 / 1
	Direction of rotation at Y = 0 V	at switch position 0 ↺ resp. 1 ↻
	Manual override	Gearing latch disengaged with pushbutton, self-resetting
	Angle of rotation	Max. 95° ↺, limited on both sides by means of adjustable, mechanical end stops
	Running time	150 s
Sound power level	Max. 35 dB (A)	
Position indication	Mechanical, pluggable	
<b>Safety</b>	Protection class	III Safety extra-low voltage
	Degree of protection	IP54 in any mounting position
	EMC	CE according to 89/336/EEC
	Mode of operation	Type 1 (to EN 60730-1)
	Ambient temperature range	-30 ... +50 °C
	Non-operating temperature	-40 ... +80 °C
	Ambient humidity range	95% r.H., non-condensating (EN 60730-1)
Maintenance	Maintenance-free	
<b>Dimensions / Weight</b>	Dimensions	See «Dimensions» on page 2
	Weight	Approx. 500 g

### Safety notes



- The damper actuator is not allowed to be used outside the specified field of application, especially in aircraft or any other form of air transport.
- Assembly must be carried out by trained personnel. Any legal regulations or regulations issued by authorities must be observed during assembly.
- The device may only be opened at the manufacturer's site. It does not contain any parts that can be replaced or repaired by the user.
- The cable must not be removed from the device.
- When calculating the required torque, the specifications supplied by the damper manufacturers (cross section, design, installation site), and the air flow conditions must be observed.
- The device contains electrical and electronic components and is not allowed to be disposed of as household refuse. All locally valid regulations and requirements must be observed.

## Product features

<b>Mode of operation</b>	The actuator is controlled by means of a standard control signal DC 0 ... 10 V. It opens to the position dictated by this signal. The measuring voltage U allows the damper position (0 ... 100%) to be electrically indicated and serves as a follow-up control signal for other actuators.
<b>Simple direct mounting</b>	Simple direct mounting on the damper spindle with a universal spindle clamp, supplied with an anti-rotation strap to prevent the actuator from rotating.
<b>Manual override</b>	Manual operation is possible with the self-resetting pushbutton (the gearing latch remains disengaged as long as the pushbutton is pressed).
<b>Adjustable angle of rotation</b>	Adjustable angle of rotation with mechanical end stops.
<b>High functional reliability</b>	The actuator is overload-proof, requires no limit switches and automatically stops when the end stop is reached.


## Accessories

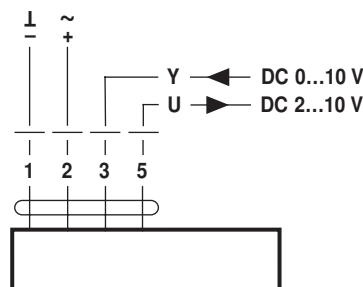
	Description	Data sheet
<b>Electrical accessories</b>	Auxiliary switch S..A..	T2 - S..A..
	Feedback potentiometer P..A..	T2 - P..A..
	Range controller SBG24	T2 - SBG24
	Positioner SG..24	T2 - SG..24
	Digital position indication ZAD24	T2 - ZAD24
<b>Mechanical accessories</b>	Shaft extension AV6-20	T2 - Z-LM..A..

## Electrical installation

### Wiring diagrams

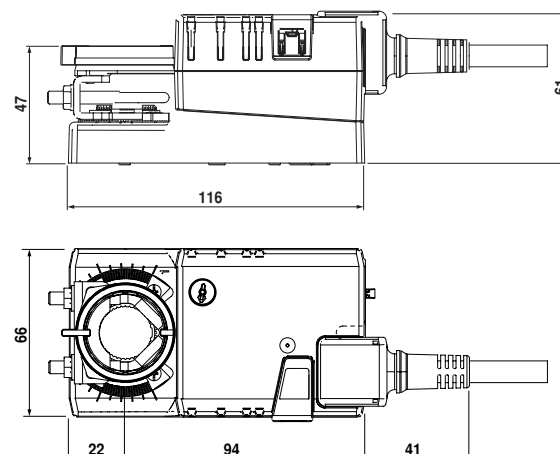
#### Notes


- Connection via safety isolating transformer. 
- Other actuators can be connected in parallel. Please note the performance data.



## Dimensions [mm]

### Dimensional drawings



Damper spindle	Length	
	min. 37	6 ... 20