

The following VAV products have been discontinued by Belimo:-

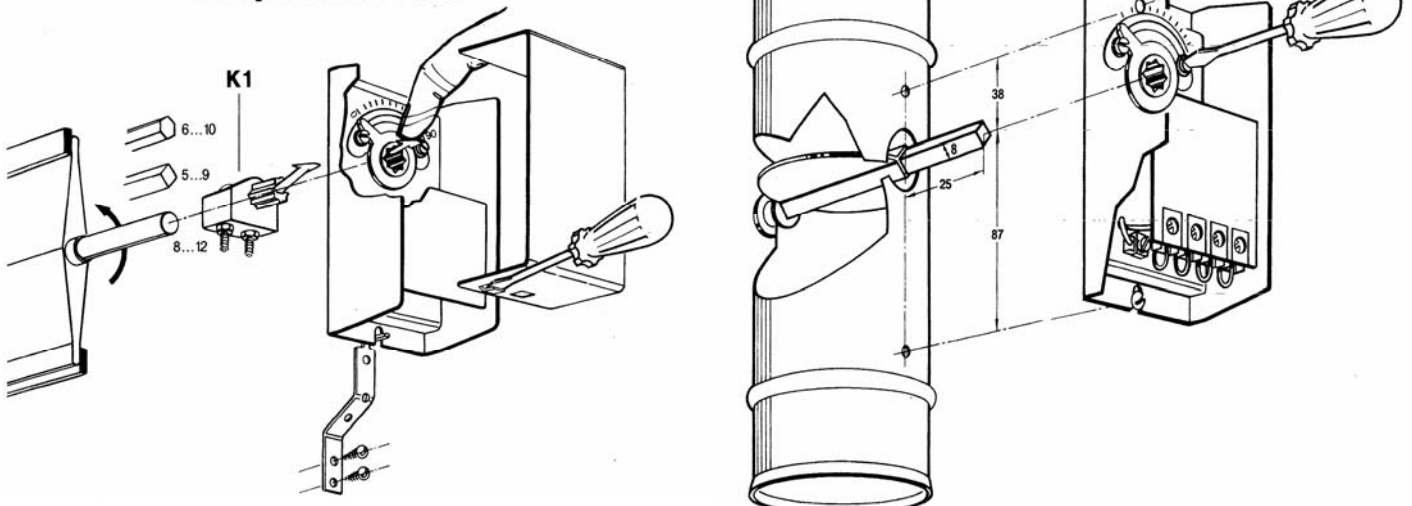
**KM24-V**                    **VAV damper actuator**  
**KM24-I**                    **VAV damper actuator**

In order to provide the correct replacement for these obsolete actuators, please provide detailed information on the VAV unit and the existing KM actuator.

Please complete all of the boxes below in full:

EXISTING ACTUATOR TYPE (KM24-V OR KM24-I)	
VOLUME CONTROLLER FITTED (VR1, VR2, VRD etc)	
VAV BOX MANUFACTURER (TROX, CARRIER etc)	
IS A K1 SHAFT ADAPTOR FITTED? (SEE DRAWING)	
IS THE KM FITTED DIRECTLY ON A SQUARE SHAFT?	
SHAPE AND LENGTH OF THE DIRECT DRIVE SHAFT	
ANY OTHER INFORMATION	

**Mounting instruction for direct coupled damper motor KM ...**



The above diagrams show the original mounting methods for the KM range of damper actuators.

**If you need any help with the above questions please call our technical department on 01344 780344.**