

The following products have been discontinued by Belimo:-

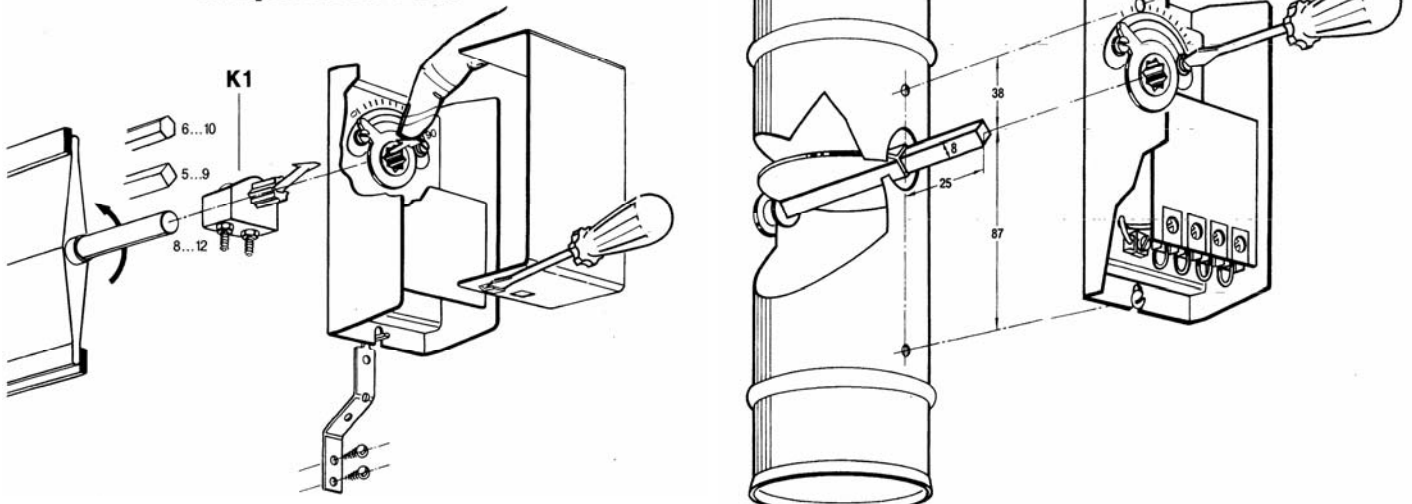
- KM24-SL** **Modulating 2-10V damper actuator.**
KM24-SR **Modulating 2-10V damper actuator.**

In order to provide the correct replacement for these obsolete actuators, please provide detailed information on the VAV unit and the existing KM actuator.

Please complete all of the boxes below in full:

EXISTING ACTUATOR TYPE (KM24-SL OR KM24-SR)	
APPLICATION (VAV, FAN-COIL, DAMPER etc)	
PRODUCT MANUFACTURER (TROX, DIFFUSION etc)	
IS A K1 SHAFT ADAPTOR FITTED? (SEE DRAWING)	
IS THE KM FITTED DIRECTLY ON A SQUARE SHAFT?	
SHAPE AND LENGTH OF THE DIRECT DRIVE SHAFT	
ANGLE OR ROTATION SET (45°270° POSSIBLE)	
ANY OTHER INFORMATION	

Mounting instruction for direct coupled damper motor KM ...



The above diagrams show the original mounting methods for the KM range of damper actuators.

If you need any help with the above questions please call our technical department on 01344 780344.